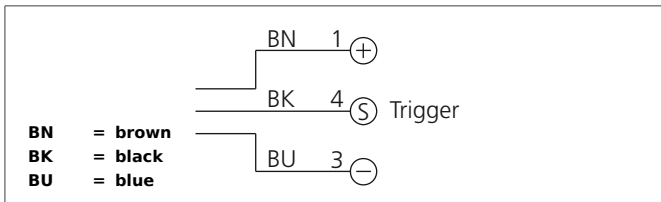


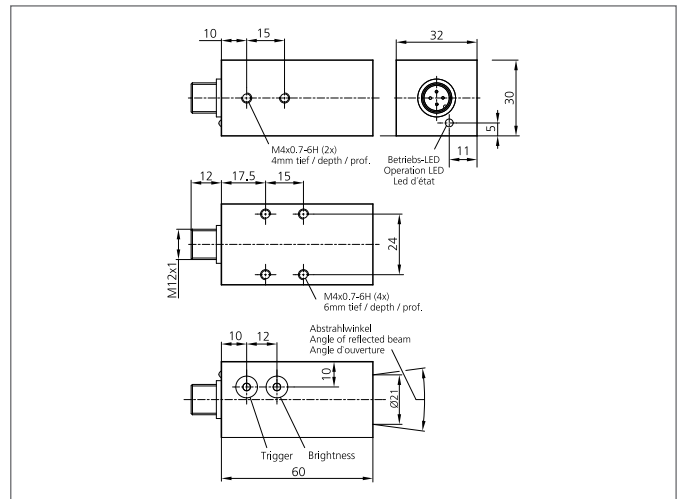
BEK 1-P10-G7TI-IBS Spotlight

- Constant level of light intensity over the entire voltage range
- Homogenous luminous field
- External trigger input
- Internal control of power output
- High efficiency
- Low levels of heat produced
- Light intensity can be adjusted
- Robust metal casing



Safety instructions

ATTENTION: Exposure can lead to eye and skin irritation. Use suitable protection shield. Pay attention to accident prevention rules and risk group DIN EN 62471. These instruments shall exclusively be used by qualified personnel.



TECHNICAL INFORMATION (typ.)	+20°C, 24V DC
Characteristics	Internal control of power output, Trigger input
Light colour	UV, 365 nm
Emission angle	10°
Illumination intensity	12.500 µW/cm ² (0,1 m), 6.000 µW/cm ² (0,2 m), 1.400 µW/cm ² (0,5 m)
Service voltage	10 ... 35 V DC (Supply Class 2)
Internal power consumption	max. 290 mA, (10 V DC)
Light outlet	axial
Trigger input low level	0 ... <2,8 V
Trigger input high level	> 3,3 ... 35 V
Power	3,2 W (24 V DC)
Shock-/vibration load	10 ... 55 Hz / 1,0 mm / 30 g
Inverse polarity protection	Yes
Display	LED: green - operation indicator
On-delay time (Trig.)	0,340 ms
Ambient temperature	0 ... +50 °C
Protection class	IP 67
Protection degree	III, operation on protective low voltage
Risk group (DIN EN 62471)	Risk group 2
Casing material	Aluminium black anodized
Material	glass (Protection optics)
Connection	Connector, M12, 3-poled
Connecting cable	VK ...